

Glee

B&T



Glee

Bar Stool

Indoor



Glee

Bar Stool

Glee

Glee brings the warmth and texture of natural wood into the space with a simple and refined design by Alp Nuhoglu. With two height options as a kitchen stool and a bar stool, Glee stands out for its clean lines and understated elegance.

Its round seat and distinctive legs, shaped with a subtle triangular-oval profile, are fully crafted from solid wood. The legs gradually widen toward the top, where they meet beneath the seat in a seamless, sculptural connection.

Indoor

Designer

B&T Design Studio - 2020

Glee



Bar Stool

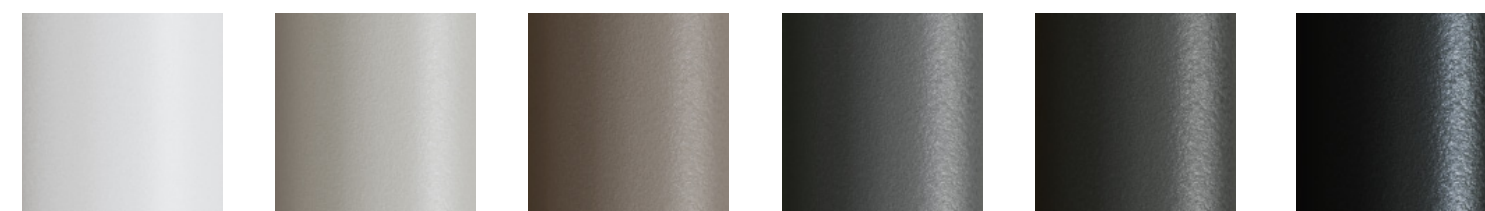
Indoor

Finish Options

A rich range of material choices is provided for Glee series to create the best match within interior style.

Metal Leg Finishes

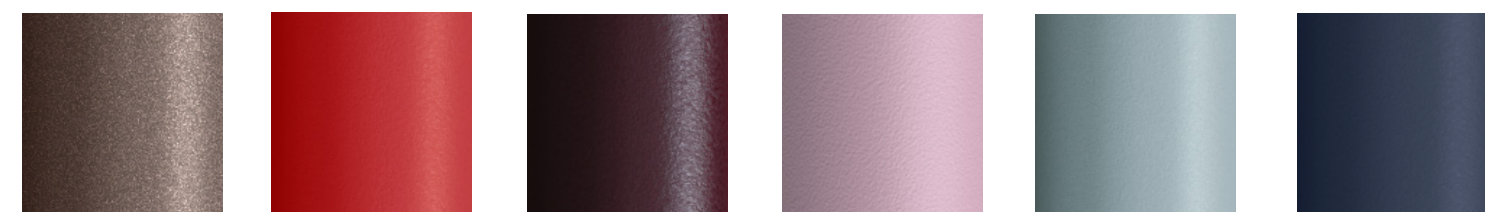
Electrostatic Powder Coating



White RAL 9016 Silk Grey RAL 7044 Taupe G 876 Grey G 458 Anthracite RAL 7016 Black RAL 9005



Cement Grey RAL 7033 Green Grey RAL 7009 Precious Sand Metallic Earth Beige Red RAL 3012 Terracotta RAL 8004



Bronze Tomato Red RAL 3013 Black Red RAL 3007 Pastel Violet RAL 4009 Nordic Lichen Steel Blue RAL 5011



Gold

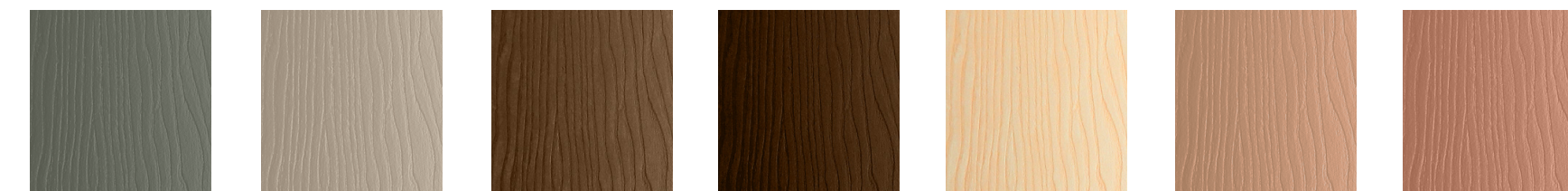
Please choose the metal foot rest color.

Glee

Ashwood Finishes



White RAL 110-1 (Ash) Silk Grey RAL 7044 (Ash) Taupe G 876 (Ash) Grey G 458 (Ash) Anthracite RAL 7016 (Ash) Black RAL 9005 (Ash) Cement Grey RAL 7033 (Ash)



Green Grey RAL 7009 (Ash) Precious Sand (Ash) Light Mocha (Ash) Dark Mocha (Ash) Natural (Ash) Metallic Earth (Ash) Beige Red RAL 3012 (Ash)



Terracotta RAL 8004 (Ash) Tomato Red RAL 3013 (Ash) Black Red RAL 3007 (Ash) Pastel Violet RAL 4009 (Ash) Nordic Lichen (Ash) Steel Blue RAL 5001 (Ash)

More options are downloadable in the catalogues

[MATERIAL CATALOGUE](#)

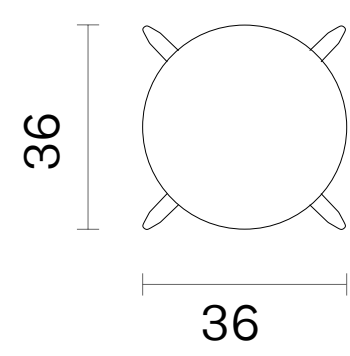
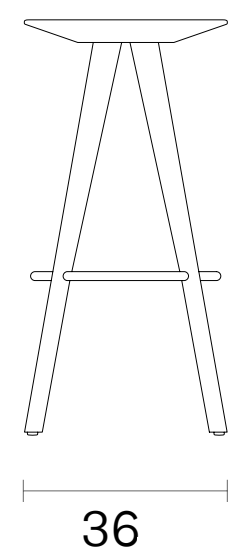
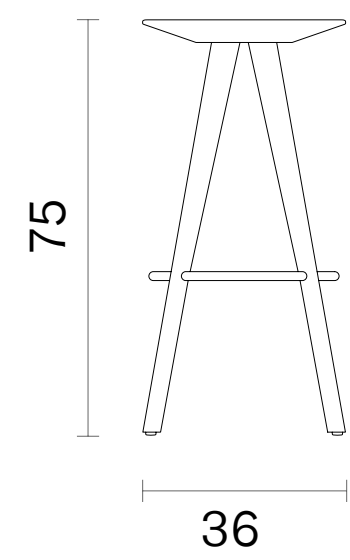
[FABRIC & LEATHER CATALOGUE](#)

Bar Stool

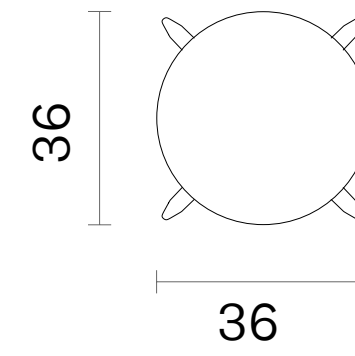
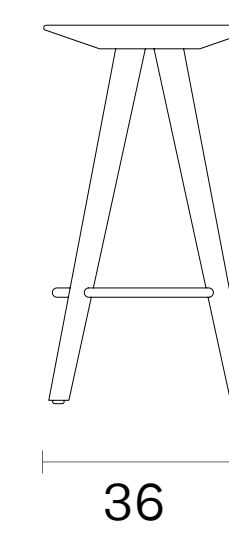
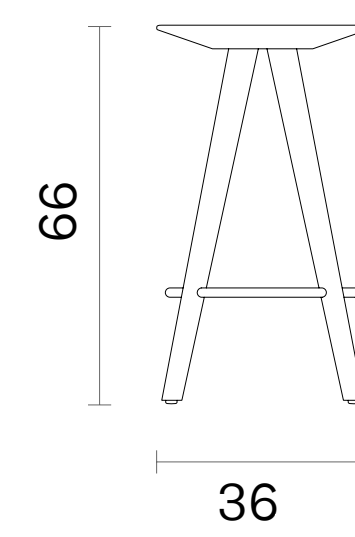
Indoor

Dimensions (cm)

Bar



Kitchen



Glee

Bar Stool

Indoor

Downloads

2D & 3D FILES 

PRODUCT IMAGES 

CERTIFICATES 

You can run this product with following system:



| Technical Specifications | | Bar Stool |
|--------------------------|-----------------------|--|
| Package Dimensions (cm) | Bar Kitchen | 50x50x86 quantity in box: 1 50x50x86 quantity in box: 1 |
| Volume (m³) | Bar Kitchen | 0.21 0.21 |
| Weight (kg) | Bar Kitchen | 5 5 |
| Structure | Solid Ashwood + Metal | |

CARE AND MAINTENANCE 

Care and maintenance instructions & warranty certificate **click and download**



www.bt.design

Showroom

Istanbul
istanbul@bt.design

Ankara
ankara@bt.design

London
london@bt.design

Factory

Istanbul
fabrika@bt.design

Bulgaria
europe@bt.design

Export

export@bt.design